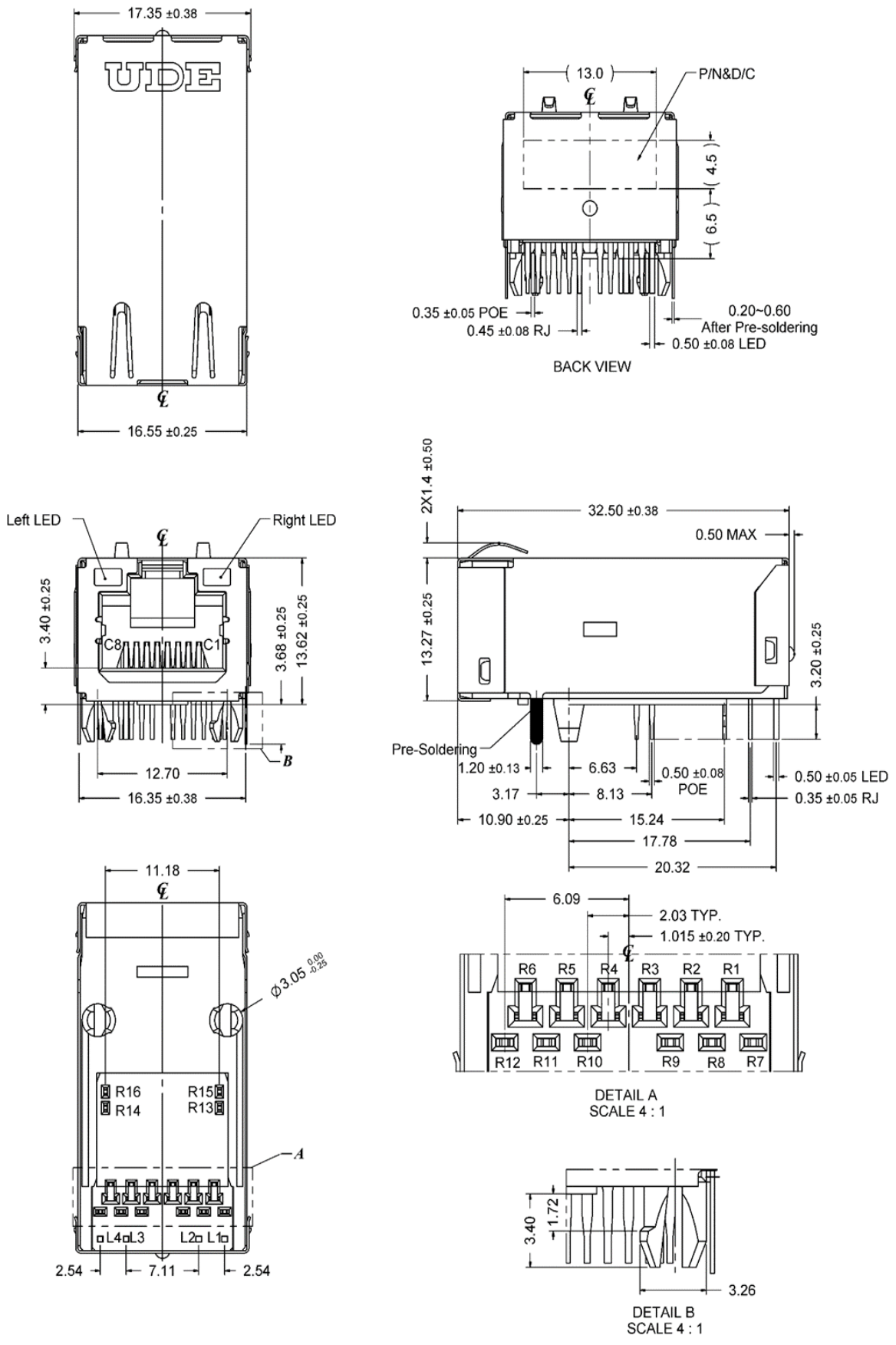


1. MECHANICAL DIMENSION

Product Dimension

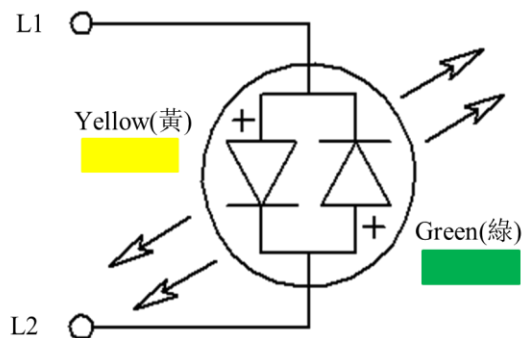
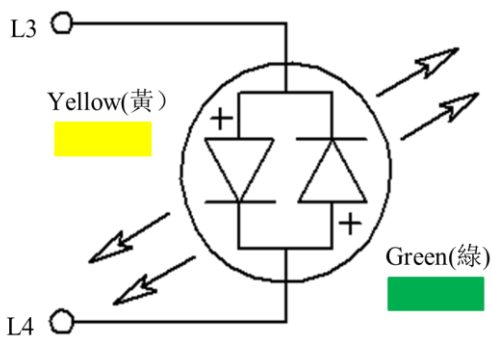
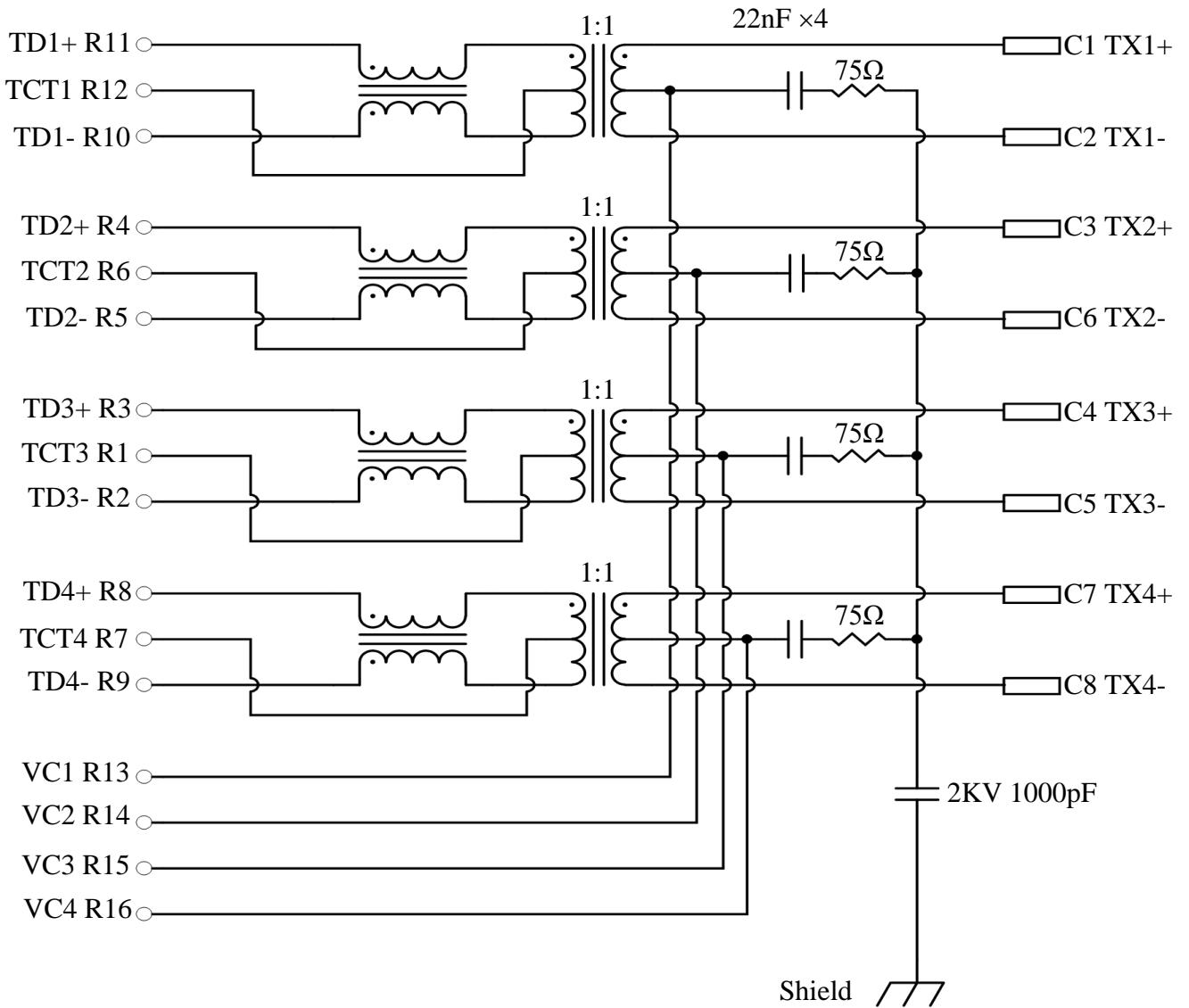
Unit:mm	General Tolerance :	X.X : ± 0.38
		X.XX : ± 0.20



9. ELECTRICAL CHARACTERISTICS @25°C

PHY Side
(Input)

Cable Side
(RJ45 Output)



Emitting Color	λ_p (nm)	V_f @ $I_f=20mA$	I_r @ $V_r=5V$
Green	570	1.7 ~2.6 V	10 μ A max.
Yellow	588	1.7 ~2.6 V	10 μ A max.