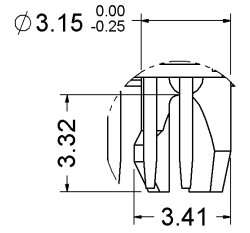
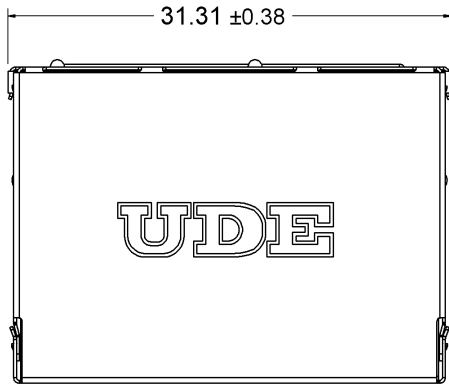


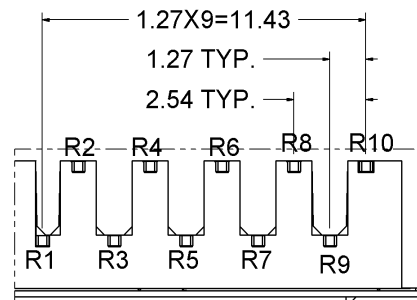
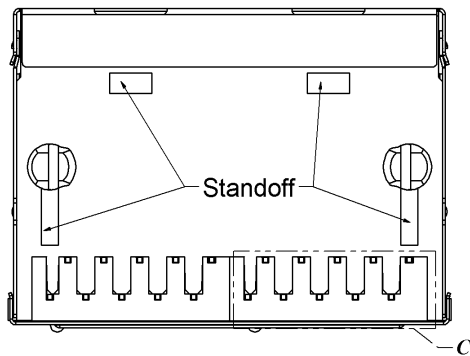
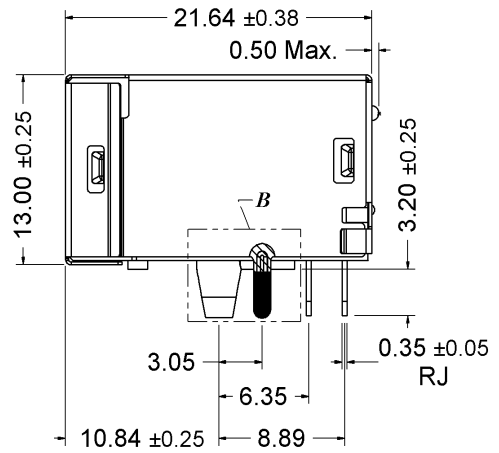
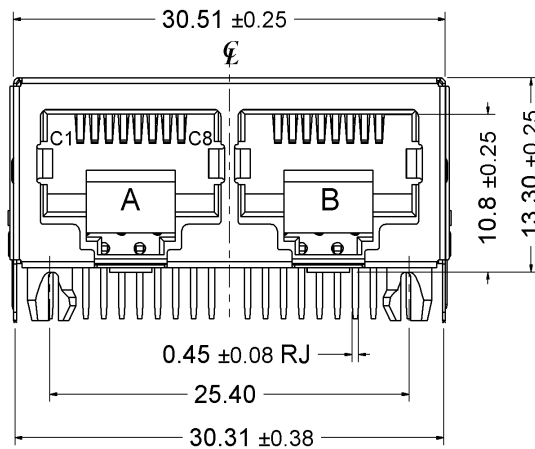
1. MECHANICAL DIMENSION

Product Dimension

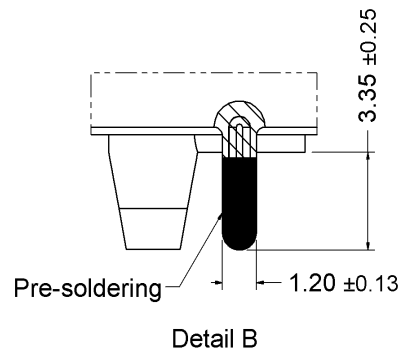
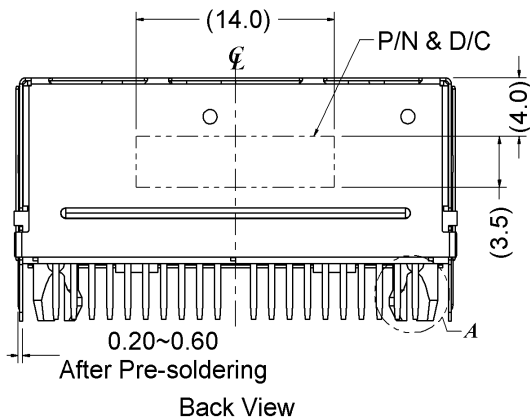
Unit:mm	General Tolerance :	X.X : ± 0.38
		X.XX : ± 0.20



Detail A



Detail C



Detail B

9. ELECTRICAL CHARACTERISTICS @25°C

