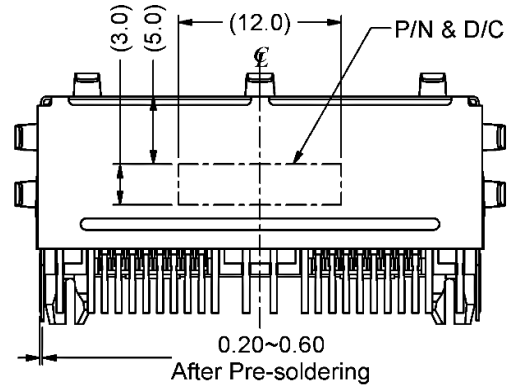
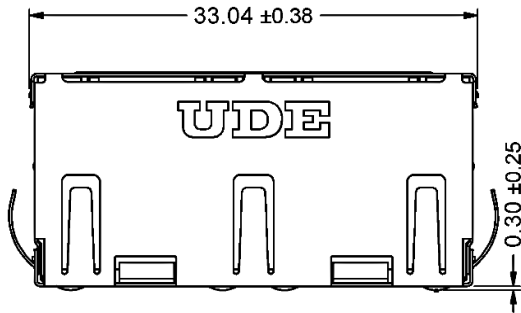


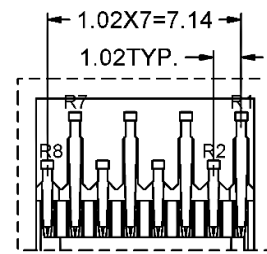
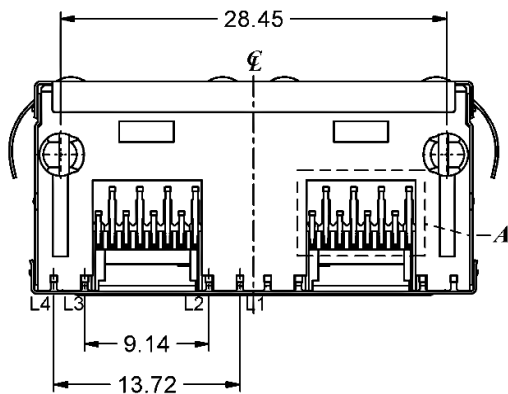
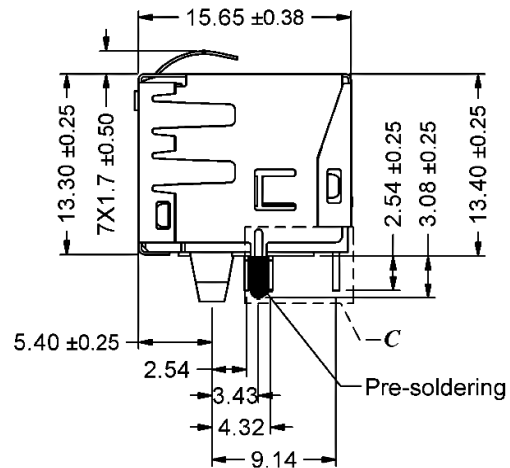
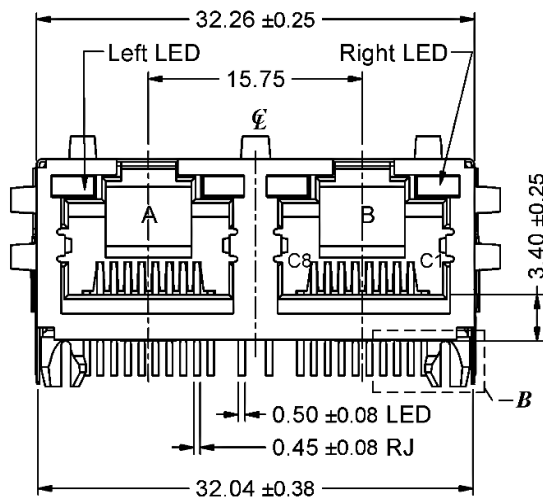
# 1. MECHANICAL DIMENSION

## 1.1 Product Dimension

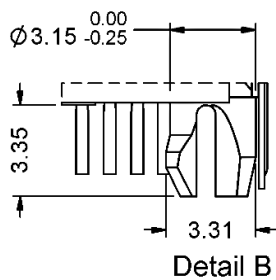
Unit : mm	General Tolerance : X.X : ± 0.38 X.XX : ± 0.20
-----------	--



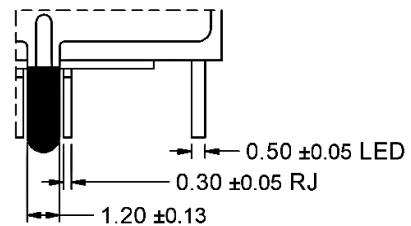
Back View



Detail A



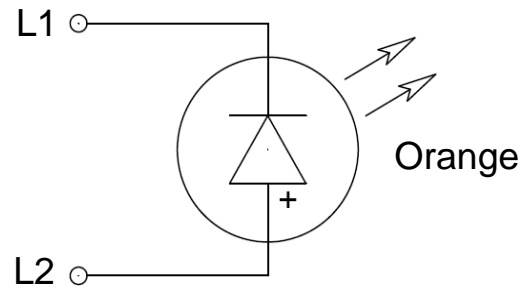
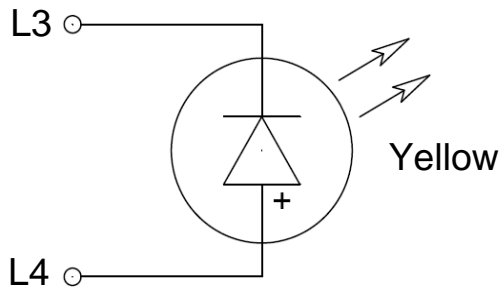
Detail B



Detail C

## 3. ELECTRICAL CHARACTERISTICS @ 25°C

## 3.1 LED



Emitting Color	$\lambda_p$ (nm)	$V_f$ @ $I_f=20\text{mA}$	$I_r$ @ $V_r=5\text{V}$
Yellow	588	1.7 ~2.6 V	10 $\mu\text{A}$ max.
Orange	605	1.7 ~2.6 V	10 $\mu\text{A}$ max.