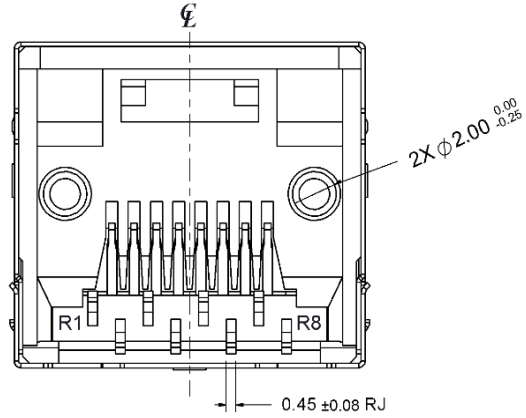
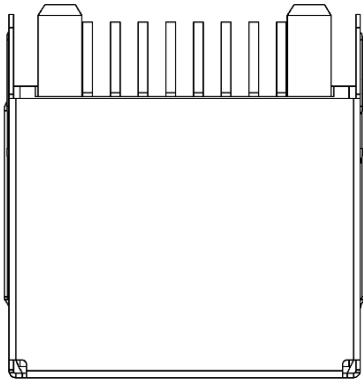


1. MECHANICAL DIMENSION

Product Dimension

|         |                     |               |
|---------|---------------------|---------------|
| Unit:mm | General Tolerance : | X.X : ± 0.38  |
|         |                     | X.XX : ± 0.20 |



Back View

