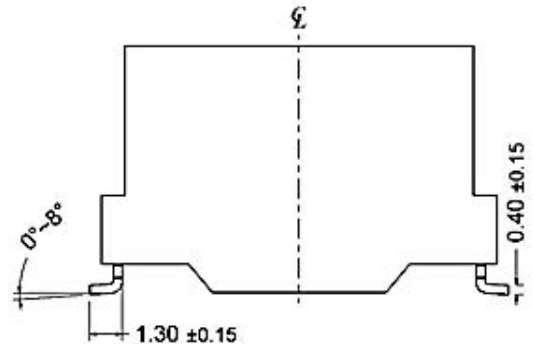
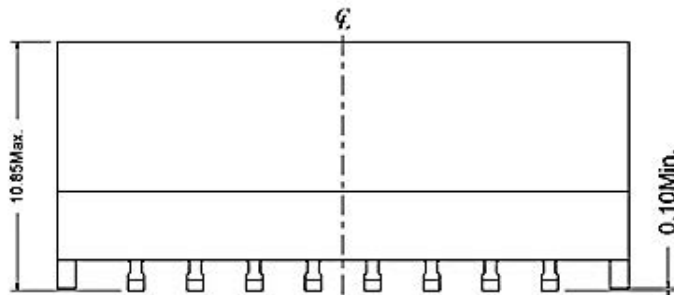
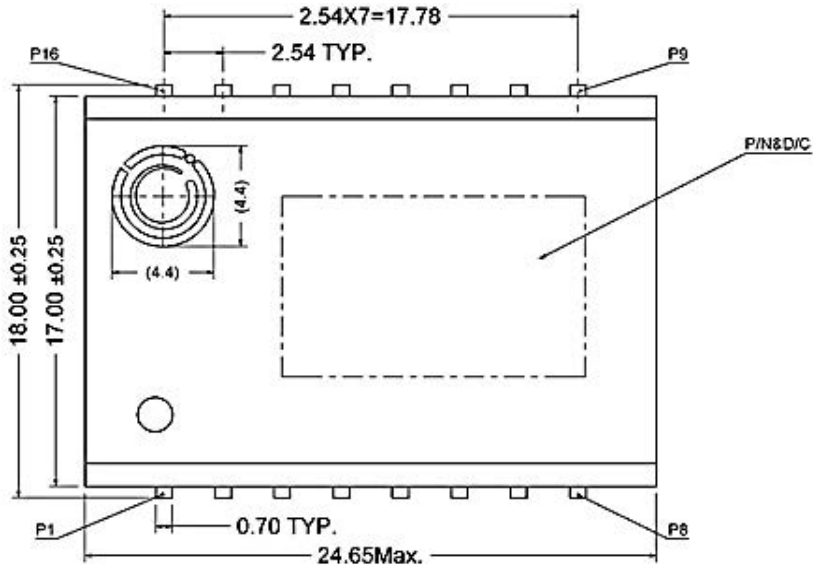


1. MECHANICAL DIMENSION

1.1 Product Dimension

General Tolerance : X.X : ± 0.25
X.XX : ± 0.13



3. ELECTRICAL CHARACTERISTICS @ 25°C

3.1 Schematic

