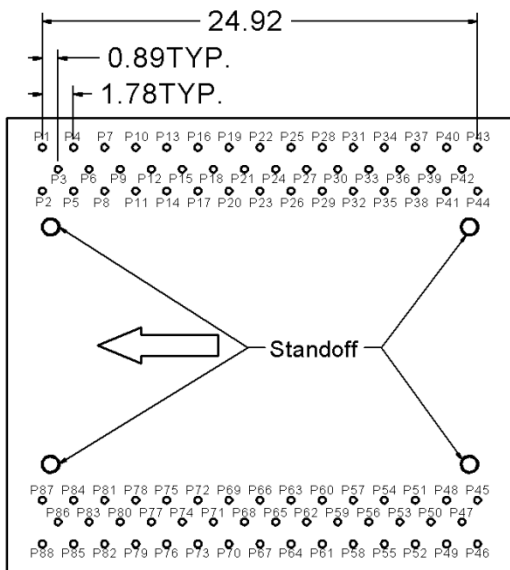
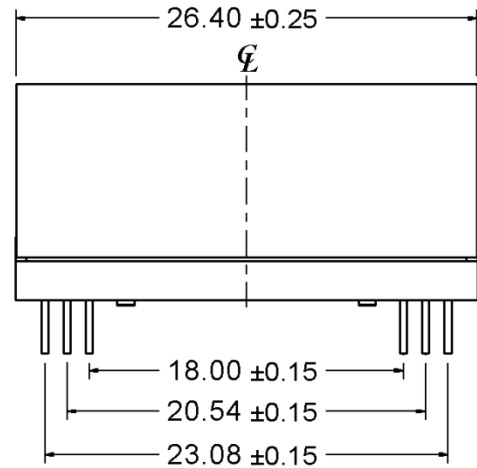
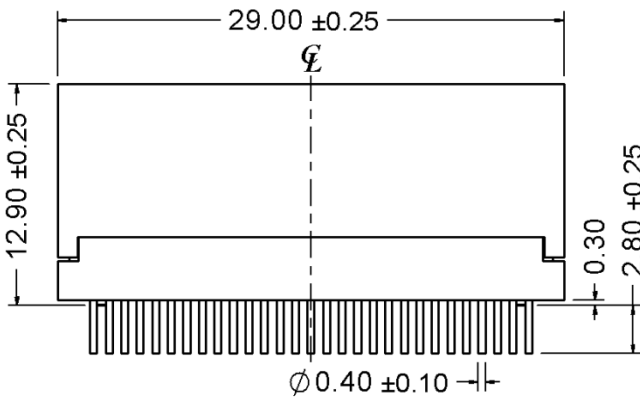
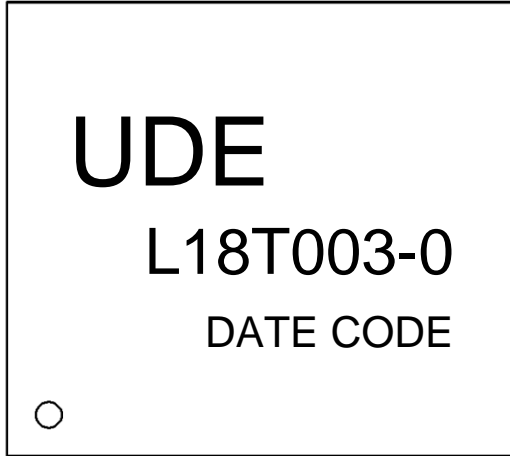


1. MECHANICAL DIMENSION

1.1 Product Dimension (Unit mm)

General Tolerance : X.X : ± 0.25
X.XX : ± 0.13



3. ELECTRICAL CHARACTERISTICS

3.1 Schematic

